

INTERNATIONAL® S13®
INTEGRATED POWERTRAIN

PRODUCT BROCHURE

ADVANCED. INTEGRATED. UNDISPUTED.

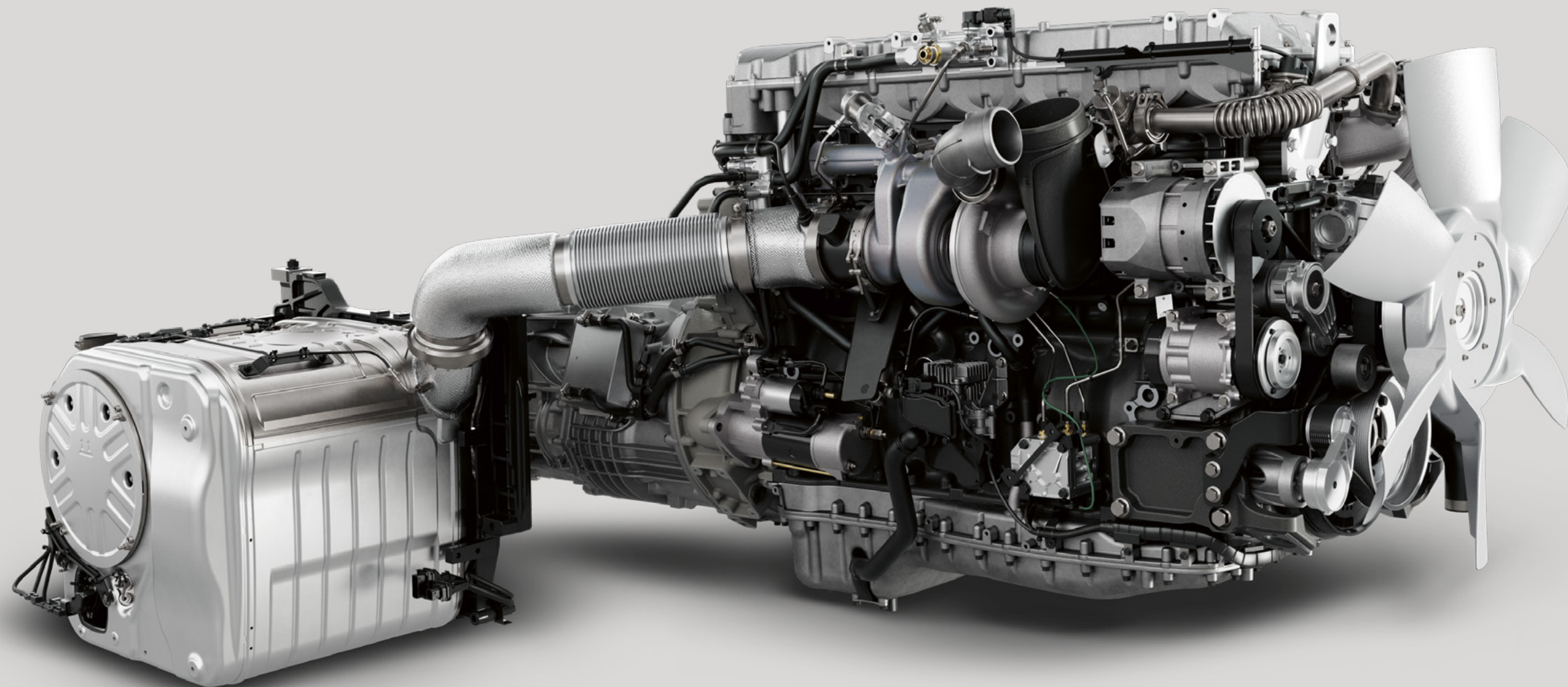
SUPERIOR OPERATING ECONOMY. STELLAR PERFORMANCE. SIMPLE, EASY-TO-SERVICE DESIGN.

A clean sheet of paper and decades of experience. That's what the engineering team started with when they began work on the International® S13® Integrated Powertrain.

result is an engine, transmission and aftertreatment system designed to work as one that's simple, easy to service and delivers stellar performance with superior operating economy.

And this wasn't just any team. This was a dream team of engineers located literally all over the world. Thanks to this spirit of collaboration between partner companies, the team was able to shift what's possible and rethink, redesign and reinvent what an integrated powertrain can be. The

In fact, the International S13 Integrated Powertrain can achieve up to a 15% gain in fuel economy* over the popular first-generation International® A26. This is one reason why we consider the International S13 Integrated Powertrain the most advanced system of its kind.



* Comparing the fuel economy of the 2017 GHG International® A26 engine in a 2017 International® LT® Series truck with aero package to the fuel economy of the new International® S13 Integrated Powertrain in a 2024 International® LT® Series truck with the LT aero package and chassis enablers. Actual customer results may vary due to various factors, including but not limited to, truck specifications, weight of the vehicle, predictive features, environmental conditions, etc.

THE OPEN ROAD

When the road stretches over the horizon, it's comforting to know you have a powertrain that delivers outstanding reliability, powerful performance and exceptional fuel economy.



ENGINEERED TO PERFORM.

S13 Integrated is available with:
International® LT® Series truck
International® RH™ Series truck

ON THE JOB

Brimming with features that can boost productivity, the S13 Integrated Powertrain is equally adept when the road ends and the jobsite begins.



NO MATTER THE ARENA.

S13 Integrated is available with:
International® HX® Series truck
International® HV™ Series truck
(models 515/615 only)

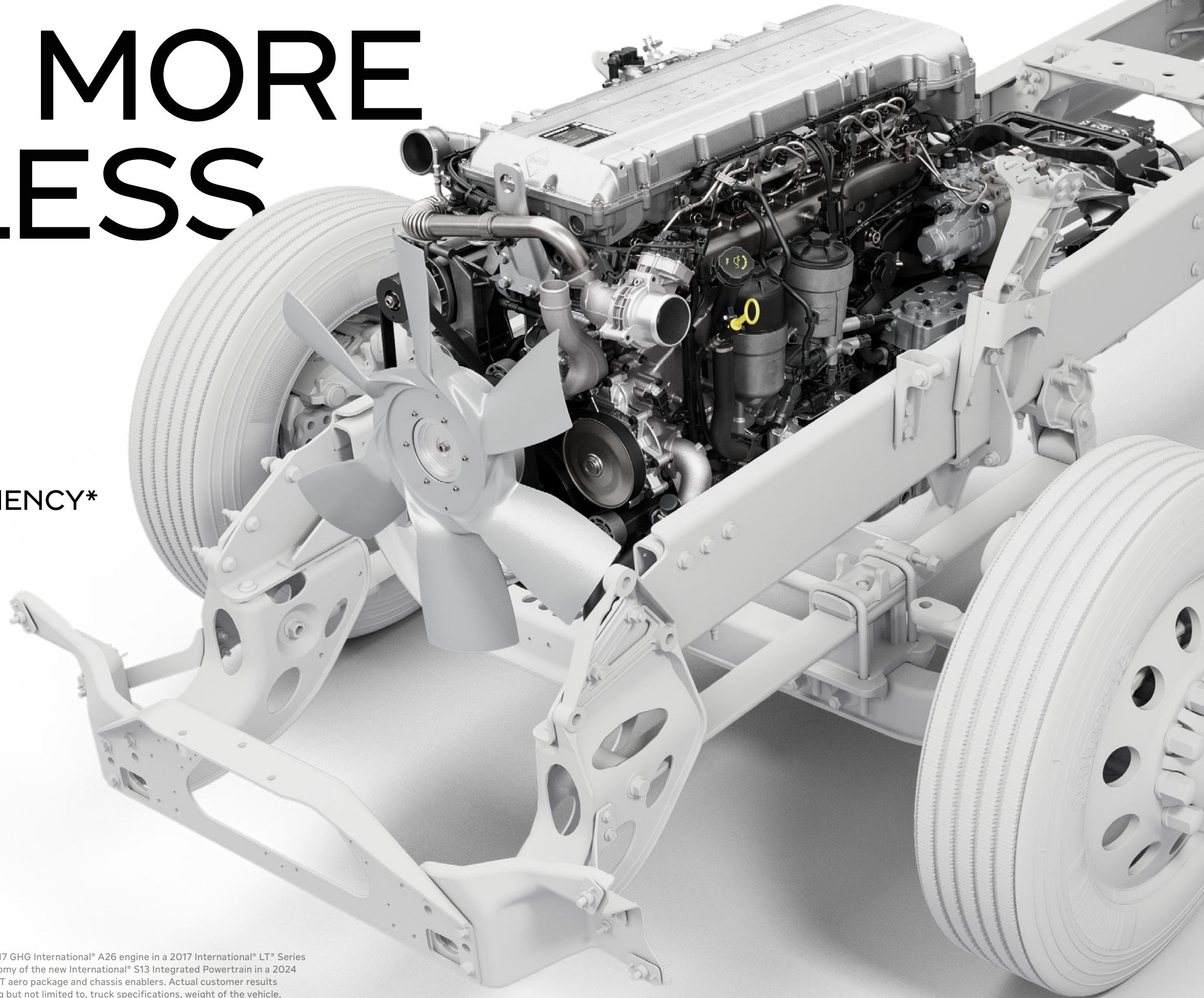
DOING MORE WITH LESS

UP TO 15% MORE FUEL EFFICIENCY*

**NO ONE THOUGHT IT WAS POSSIBLE.
EXCEPT US.**

Finding incremental fuel economy gains has kept diesel engineers busy for decades. And recently, most believed the diesel engine had already reached its limit in terms of efficiency. We didn't. If anything, we took it as a challenge. After all, not only does better fuel economy mean less CO2 into the atmosphere, it's also better for businesses thanks to reduced operating costs and ultimately, greater profit.

* Comparing the fuel economy of the 2017 GHG International® A26 engine in a 2017 International® LT® Series truck with aero package to the fuel economy of the new International® S13 Integrated Powertrain in a 2024 International® LT® Series truck with the LT aero package and chassis enablers. Actual customer results may vary due to various factors, including but not limited to, truck specifications, weight of the vehicle, predictive features, environmental conditions, etc.

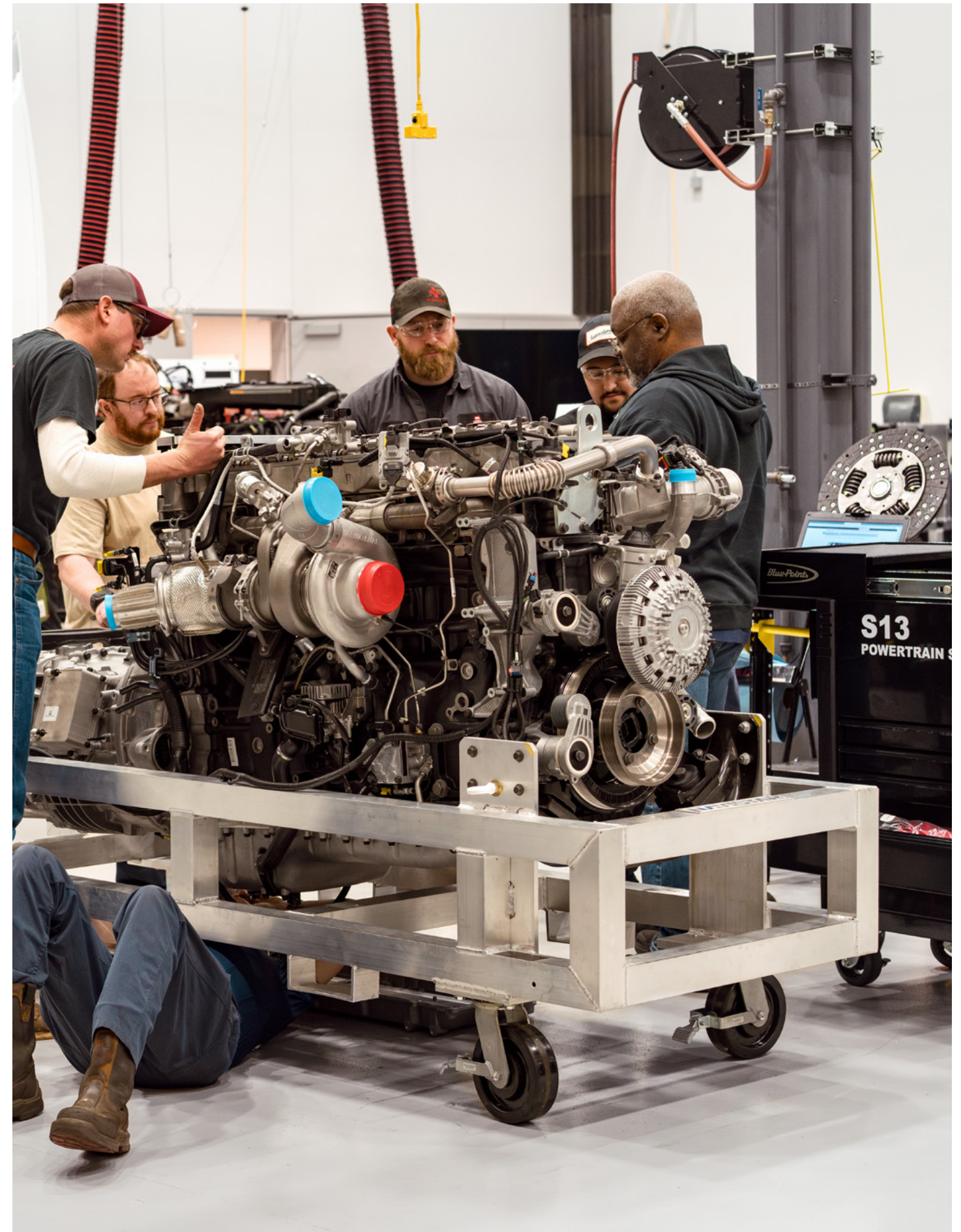


SO HOW DID WE DO IT?

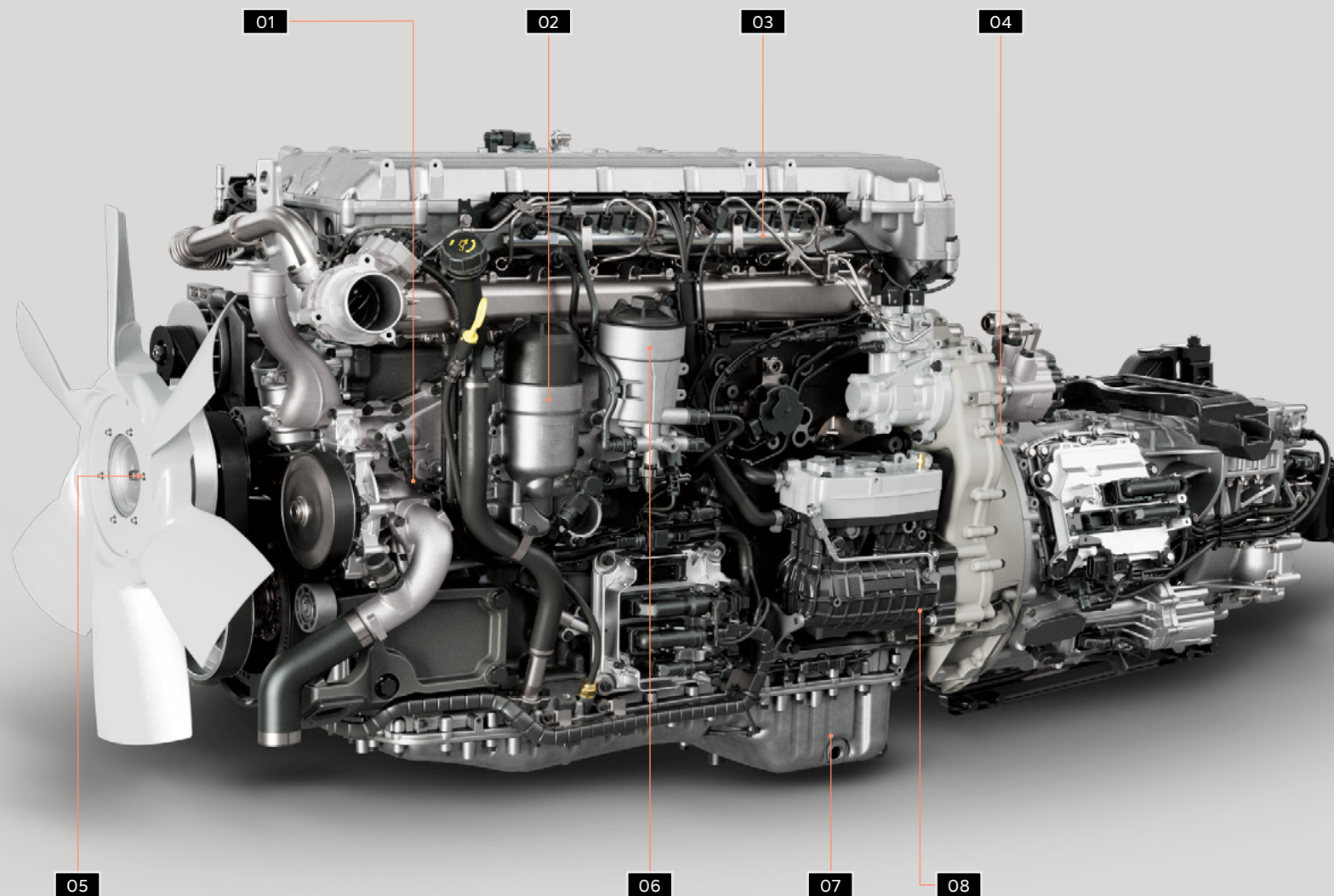
The design of the combustion chamber, intake and exhaust ports are key contributors to the performance and efficiency of any engine. So we started there. And through exhaustive simulation work, a new cylinder and piston head design with maximum cooling properties was created. This new double overhead cam design with integrated compression release brake assembly and parallel valve pattern not only helps to reduce parasitic loss, but also directly equates to less fuel being consumed.

But that's not all.

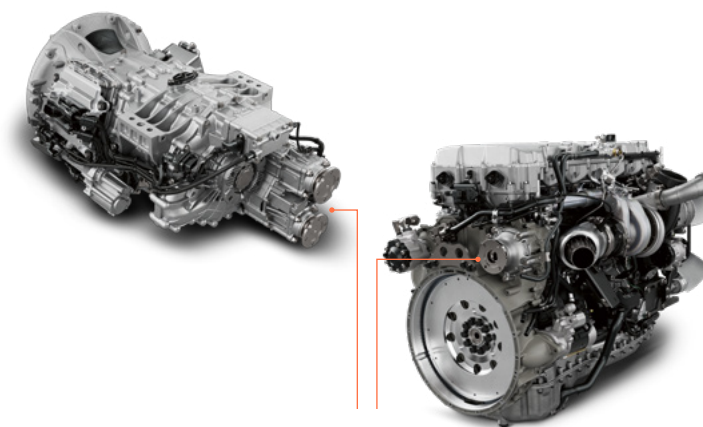
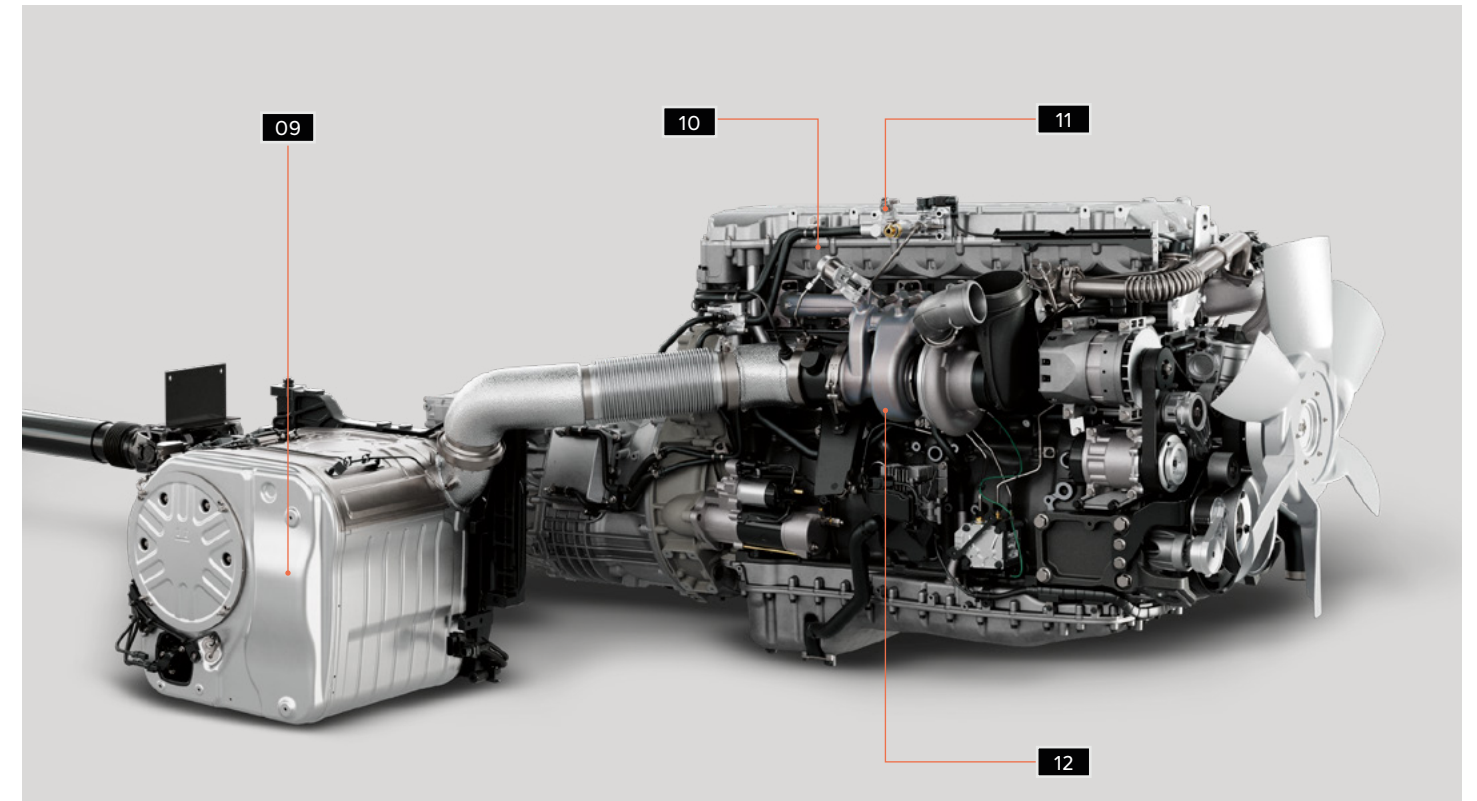
Thanks to the new dual stage aftertreatment module, a heavy (40–50 lbs) EGR cooler is no longer needed to reduce emissions. Its absence not only contributes to the S13 being the lightest 13-liter diesel engine available in North America, it also means nearly 100% of the exhaust flow goes through the simple, less complex fixed-geometry turbocharger for maximum performance and efficiency.



IT ALL COMES TOGETHER



The International S13 Integrated Powertrain brings together three distinct entities to create a whole: the S13 engine, the T14 Transmission and the Dual Stage Aftertreatment system.



PARTS AND SPECIFICATIONS

01	Water Pump	Low displacement, Low parasitic losses
02	Oil Filter	Cartridge style
03	High-Pressure Fuel System	1800 Bar
04	T14 Transmission	14-speed single countershaft geartrain transmission with wide ratio spread for efficiencies on flatlands and performance on hilly terrains
05	6- or 9-Blade Fan	For additional efficiency
06	Fuel Filter	
07	Oil Pan	Aluminum pan provides corrosion protection
08	Air Compressors	<ul style="list-style-type: none"> • Single cylinder (iron) • Two cylinder (aluminum) • Two cylinder clutched (aluminum)
09	Dual Stage After-Treatment	<ul style="list-style-type: none"> • Compact design for more frame rail mounting space • No active DPF regen needed
10	No Cooled EGR	EGR cooler not required with this advanced engine design
11	Aluminum Valve Cover	Rugged and lightweight
12	Fixed Geometry Turbo	More reliable and efficient design

Factory-Installed PTOs available

- Single- and dual-transmission PTOs available with a variety of common interfaces, installed directly at the factory
- REPTO and FEPTO options available without horsepower restrictions



SHIFT WHAT'S POSSIBLE.

Any engine, no matter how well designed, is only as good as the transmission it's mated to. Delivering the power to the road in a smooth, predictable manner is no small feat when you consider the torque delivered by heavy trucks. Because they were developed in unison, the engine and transmission of the S13 Integrated Powertrain are designed to work in perfect harmony. The result is the fully automated manual T14 transmission with 14-speeds, including overdrive.

T14 TRANSMISSION

The fully automated T14 manual transmission shifts seamlessly. It requires no input from the driver in terms of being in the right gear at the right time.

Transmission control module (TCM)

Predictive cruise control, eco-coast, downhill speed control, and predictive shifting can be found in one module - the TCM. Combining these features into one module means the vehicle feels more natural and intuitive and, ultimately, more efficient. The transmission has an electronically controlled clutch actuator that works in sync with the engine to deliver fast and smooth shifts. Since it does not consume air during complicated maneuvers, like when you're backing a trailer into a tight loading dock, the driver never needs to stop and let the air recharge.

Driver shift modes

Three different shift modes (optional) for ultimate control for the driver

- **Economy** — Predictive shifting with fuel efficiency focus
- **Performance** — Perfect balance
- **Performance+** — Shifting at peak power with focus on performance
- **Off-road** — HX/HV only

Precision maneuvering mode

Gives the driver more control of the vehicle at low speeds for specific movements, such as reversing into a loading dock, connecting to a trailer or navigating a crowded construction site. Torque value for pedal input is reduced. This mode allows the clutch to slip more easily for slow and smooth performance.

Paver Assist (HX Series / HV Series)

Enables the truck to be shifted from neutral into a forward gear without the driver needing to depress the brake. This helps ensure the smooth/uninterrupted delivery of material into the following asphalt paver.

Rock Free

Extracts a truck that has sunk into the ground by rocking it back and forth (without spinning the wheels) until it's free.

Eco-coast

Disengages the driveline when traveling downhill, using the momentum of the vehicle to save fuel.

Creep mode

This mode allows the vehicle to automatically start moving when the brake pedal is released while the transmission is in gear. This mode is useful in high traffic and other events where constant vehicle movement is necessary without the use of the accelerator pedal.

Downhill speed control

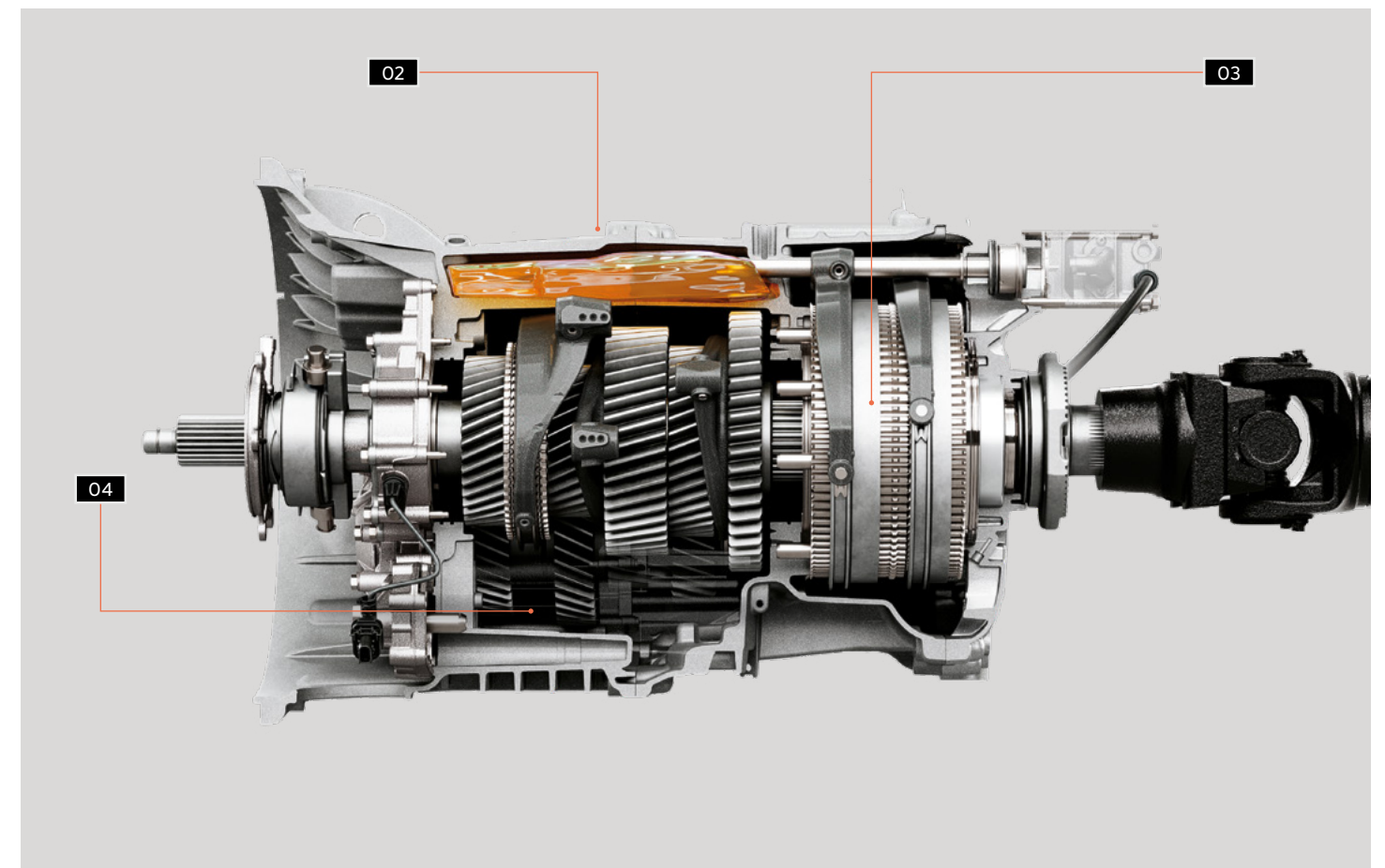
This mode utilizes cruise control and the engine brake to descend at a set speed.



T14 MANUAL TRANSMISSION PARTS AND FEATURES



01	Shift actuators	Shift actuator packaging was designed specifically for automated functionality (rather than adapted from a manual), allowing for more compact gearbox housing
02	Variable oil level upper reservoir	Oil is pumped to the reservoir under lower loads to reduce parasitic losses, allowing for the continuous lubrication of gears by the oil sprayers
03	Planetary gears	The planetary gear set eliminates the need for a dedicated reverse gear, shortening the gearbox and allowing for better packaging within the chassis
04	Single countershaft	A single countershaft with helical gears lowers the overall weight of the unit without compromising the durability or performance of the transmission



UPTIME ABOVE ALL ELSE.



When developing the International S13 Integrated Powertrain, the engineers knew it needed to have iron-clad reliability out of the gate.

The entire powertrain was designed to allow each individual component – engine, transmission and aftertreatment – to focus on doing what it does best. Eliminating the EGR cooler is a prime example. Instead of trying to control NOx emissions inside the cylinder, the engine operates with zero EGR during regular operation, so it can focus on generating more power. Plus, no cooled EGR during normal operation means nearly 100% of the exhaust flow goes through the turbo, allowing the use of a simple, more reliable fixed geometry turbocharger.

Eliminating a cooled EGR from the combustion cycle meant the engineers had to find another way to treat NOx. They accomplished this by developing

a Dual Stage Aftertreatment design that injects a first dose of DEF just downstream of the turbo in the evaporator tube and a second dose inside the aftertreatment module. Since cooled EGR has been eliminated from the combustion chamber, much less soot or particulate matter is generated. This allows for extended service intervals and eliminates the need for active regens. In fact, the cleaner combustion cycle has so much less soot that the engineers were able to eliminate the need for a diesel oxidation catalyst (DOC) in the aftertreatment system. Combined, the Dual Stage Aftertreatment system provides a simple, reliable solution that's easily serviceable.

- Improved airflow and volumetric efficiency through combustion chamber / integrated CRB (compression release engine brake)
- Optimized piston assembly & cylinder design
- Simple and reliable fixed geometry turbo
- No EGR cooler
- Long beam transmission mount design provides improved durability and ride
- Robust components – stronger mounting bolts on engine/ cylinder block

DESIGNED WITH FLEETS IN MIND.


FITS INTO YOUR FLEET
LIKE YOUR FAVORITE
PAIR OF WORK GLOVES.



The International S13 Integrated Powertrain was engineered to seamlessly integrate into fleets of all sizes. Not only can fleets benefit from exceptional fuel economy, but they also get extended service intervals to keep their equipment on the road— plus the largest service network in the industry for convenient access to white-glove treatment from ASE-certified technicians. Fleets can even order (if desired) the International S13 Integrated Powertrain with a single or dual transmission mounted PTO option installed directly at the factory. All trucks equipped with the S13 Integrated are designed to work seamlessly with International's Advanced Remote Diagnostics, which has helped some fleets reduce vehicle failures requiring a tow by up to 80%.

Fleet friendly

- Largest North American service network in the industry (with Love's network)
- Single point of service for vehicle and powertrain
- Extended service/ maintenance intervals
- Wide selection of warranty and extended service contracts



The International S13 Integrated Powertrain was verified in some of the most challenging environments in North America.

TORTURE TESTED IN THE REAL WORLD.

Location	Conditions
Commerce City, CO	Altitude, grade
Las Vegas, NV	Summer, grade
North Pole, AK	Winter temps down to -40°F
Fargo, ND	Winter
New Carlisle, IN	Durability events plus routes
International Falls, MN	Winter
Bemidji, MN	Winter
Apache Junction, AZ	Summer temps up to 110°F

Keeping the driver comfortable, informed and empowered has been a mantra at International for decades as part of our DriverFirst™ Philosophy.

The International S13 Integrated Powertrain takes it a step further by offering smooth and quiet operation with superior capabilities. At the jobsite, full torque is available at 900 RPM for nearly immediate power when it's needed most. On the highway, a wide gear ratio means optimal efficiency on flatlands

with the performance drivers crave on hilly terrain. And when descending in either form, drivers can rely on the new compression release brake to deliver strong, secure braking power of up to 470 HP (at sea level) for quiet and effective braking.



A DRIVER'S ENGINE.

International is the first and only OEM to create connected solutions built for how you do business - designed on an open architecture, integrated with over 30 third party telematics providers, and compatible with all makes and models.*

INDUSTRY-LEADING CONNECTIVITY.

Take your performance to the next level. Our connected vehicle technology includes tools designed to give your business and operations that extra edge.

5 Years On Us

Advanced Remote Diagnostics is included for five years standard on new LT Series and RH Series trucks.

OTA Programming

Ensure peak performance with remote software calibration and programmable parameter updates to the International® S13 Integrated Powertrain — anytime, anywhere.

Fleet Health Monitoring

Weekly reports on vehicles showing fault codes that are most likely to suggest a risk of roadside failure.

Gateway Integrations

Our factory installed telematics system can connect you to select fleet management and compliance software providers seamlessly, without the cost and complexity of additional hardware installation on your vehicle.

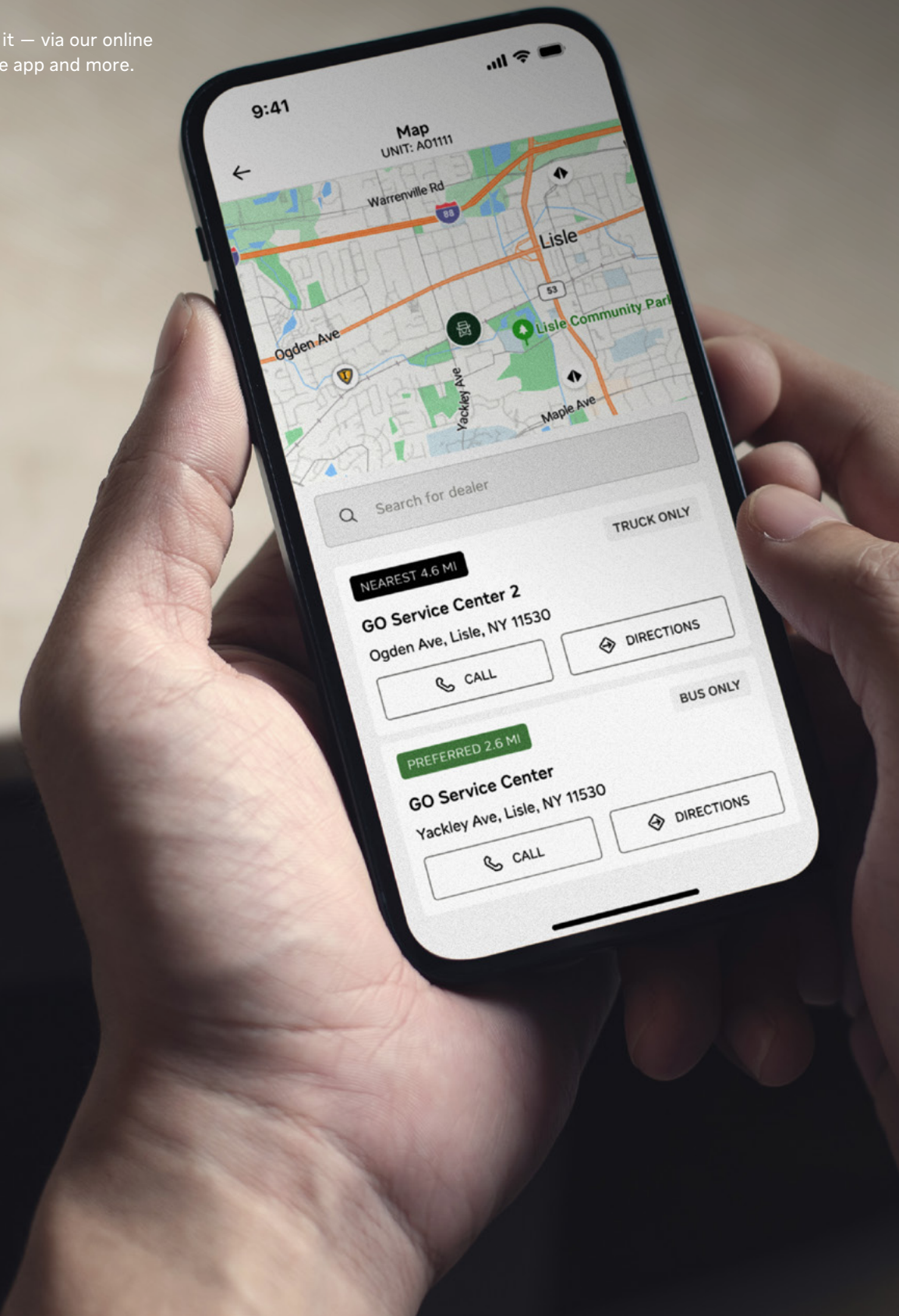
Advanced Fuel Analytics

Improve fleet efficiency with reports on key driver behaviors and other factors that affect fuel economy (i.e., cruise control use, idle time, harsh acceleration).

* For most commercial vehicles powered by diesel engines, 2007 MY and later.

Our Advanced Remote Diagnostics platform features:

- Reports on vehicle health issues that include severity ratings, likely needed parts and service, and recommended actions.
- Comprehensive vehicle health reports that include performance data, fault history and more.
- Up-to-date GPS location with customizable geofencing reports that can help ensure vehicles are where they need to be.
- Insights delivered how you need it — via our online portal, your email inbox, a mobile app and more.



S13 INTEGRATED

SPECIFICATIONS

Engine type	Diesel, 4-Cycle
Configuration	Inline 6-Cylinder
Displacement	12.74L (777 cu. in.)
Bore & Stroke	5.12 in. x 6.30 in. (126 mm & 166 mm)
Compression Ratio	23:1
Aspiration	Fixed Geometry Turbocharger
Combustion System	1800 bar Common Rail
Engine Lubrication	47.5 quarts (45L)
Total Engine Weight	2,284 lbs. (1,036 kg)
Valves	4 Valves per Cylinder, Dual Overhead Camshaft
B10 Design life	1,200,000 mi (1,931,000 km)

HORSEPOWER AND TORQUE

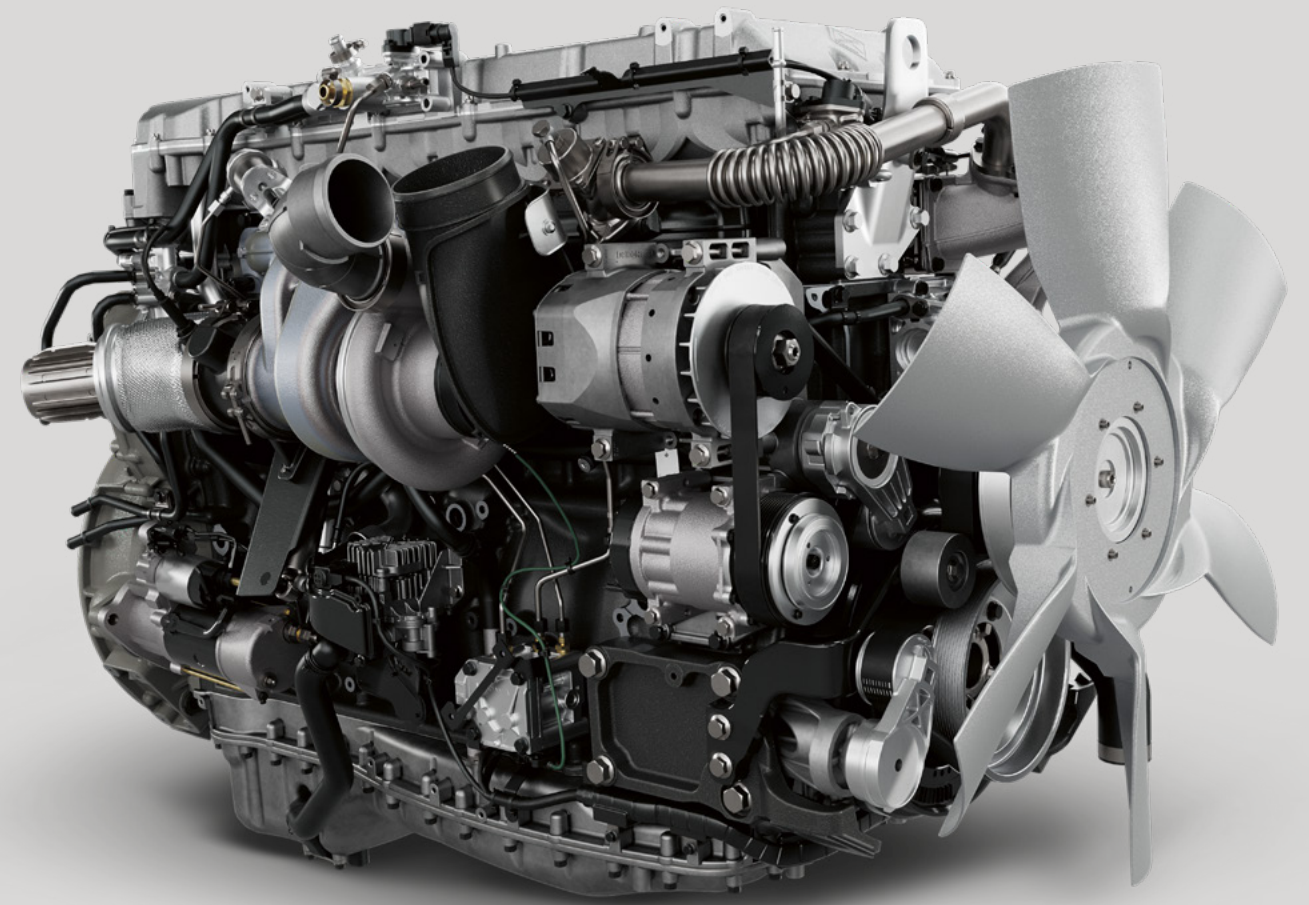
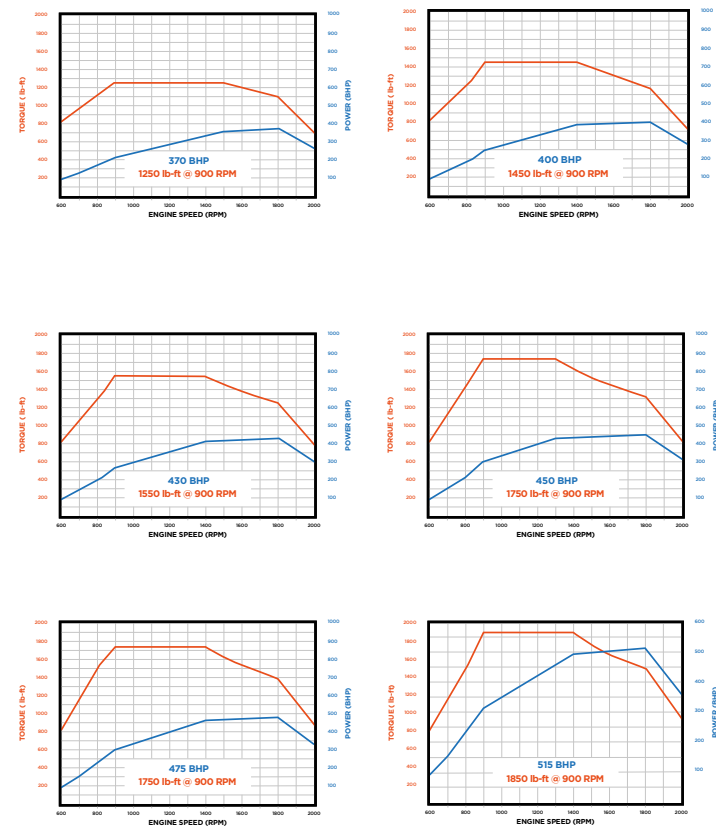
HP @ 1800RPM	Torque [lb-ft] @ 900 RPM	Governed speed [RPM]
370*	1250	2000
400	1450	2000
400*	1850	2000
430	1550	2000
450	1750	2000
470*	1750	2000
475**	1750	2000
515	1850	2000

* LT Series and RH Series Only
** HX Series Only

INDUSTRY-LEADING ENGINE WARRANTY

Base Engine	24 months; unlimited miles, unlimited hours*
Base Major Component	60 months; 500,000 miles
Base Towing	24 months; unlimited miles, unlimited hours**
Optional Engine	Up to 72 months, 600,000 miles
Optional Major Component	Up to 84 months, 700,000 miles

* Fire & rescue applications: 60 months/100,000 miles/unlimited hours
**Towing for vehicles with engine failures





T14 TRANSMISSION KEY BENEFITS

- Deep low-end gearing and shifting smoothness, delivering efficiencies of a direct drive in an overdrive package
- 14-speed including 2 crawler gears
- Single countershaft transmission designed for simplicity and reliability
- Vocational-specific drive modes, including paver assist, off-road and split shaft

INTERNATIONAL® LT® AND RH™ SERIES TRANSMISSION BASE WARRANTY (INCLUDES TOWING)

Transmission	60 months; 750,000 miles (1,200,000 km)
Clutch	36 months; 350,000 miles (563,000 km)

GEAR RATIO

Gear	Ratio	Step	Gear	Ratio	Step	Gear	Ratio	Step
R6	4.59*	-	1	20.81	29%	8	3.53	29%
R5	5.91*	-	2	16.16	29%	9	2.77	29%
R4	7.61*	-	3	12.57	29%	10	2.15	29%
R3	9.81*	-	4	9.76	29%	11	1.66	29%
R2	12.60	-	5	7.56	29%	12	1.29	29%
R1	16.23	-	6	5.87	29%	13	1.00	29%
			7	4.55	29%	14	0.78	-

*Optional



DUAL STAGE AFTERTREATMENT KEY BENEFITS

- With Dual Stage Aftertreatment and significantly improved emission control, the combustion can be optimized further for improved performance and fuel efficiency.
 - Two DEF injectors
 - Dual Stage catalysts with upstream and midstream DEF dosing
- No driver interaction required; the system manages the regeneration during operation
- DPF filter does not need to be cleaned/replaced until 650,000 miles @ >8.2 mpg
- Robust, compact aftertreatment allows less heat loss and helps significantly in improving the fuel economy and packaging

DUAL STAGE AFTERTREATMENT BASE WARRANTY

24 months, unlimited miles, unlimited hours



We understand making money means keeping your vehicles on the road.

That's why uptime is so important to us. Dependable equipment spec'd for your needs or requirements is just the beginning. We also focus on fuel economy, preventive maintenance, optimized service intervals, and more to make sure the low cost of ownership of our vehicles helps keep you in the black.

Maximum Uptime Repair Before Failure

Prognostics that move unplanned repairs, to planned. Optimizing maintenance using vehicle performance and predictive data.

Predictive Parts Stocking

Dealer parts inventory management uses AI and telematics data to predict stocking needs. This ensures the best parts are on dealer shelves to support customers.

Parts You Need Where And When You Need Them

Our partnership with Love's Truck Care & Speedco adds 400+ additional locations for quick, conveniently located access to light mechanical and select warranty work.

International®
Dealer Locations

700

Love's Truck Care
& Speedco Locations

400

Total Service
Locations

1,100



TRUCK CARE

Find out more at
international.com

2701 Navistar Drive
Lisle, IL 60532 USA



Note: The information and conclusions contained herein are believed to be correct at time of publication, but do not necessarily apply to similar vehicles with different specifications or with production dates after the production of this publication. Vehicles with different specifications or later dates of production may yield different results. Vehicle specifications are subject to change without notice. TAD22004 09/2024 ©2024 International Motors, LLC. All rights reserved. All marks are trademarks of their respective owners.

